



Tarif 2024

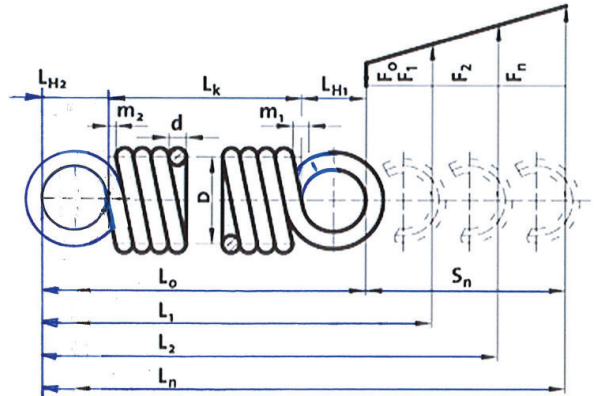
(TVA n.c./Exkl. Mwst)

Assortiment de ressorts de traction

(avec 2 boucles fermées, pos. 180°)

Zugfedernsortiment

(mit 2 geschlossenen Oesen, Pos. 180°)



Quantité Menge	N° Nr	d [mm]	Lk [mm]	L0 (mm)	Da [mm]	Constante Federrate [N/mm]	Ln [mm]	Fn [N]	Prix unitaire Stückpreis [Fr.]
	180.A.25450	0.30	7.0	11.8	3.0	0.186	26.5	3.085	SFr. 0.27
	180.A.20101	0.40	296.0	300.0	2.5	0.038	500.0	8.824	SFr. 0.98
	180.A.20102	0.40	296.0	300.0	3.0	0.020	610.0	7.219	SFr. 1.01
	180.A.25452	0.50	17.2	25.4	5.0	0.208	59.0	7.950	SFr. 0.34
	180.A.25453	0.50	18.2	26.4	5.0	0.196	63.0	8.059	SFr. 0.35
	180.A.20105	0.50	32.8	43.5	6.0	0.059	140.0	6.424	SFr. 0.36
	180.A.25468	0.50	50.2	56.2	4.0	0.149	116.0	10.149	SFr. 0.43
	180.A.25469	0.50	50.2	58.2	5.0	0.070	158.0	7.941	SFr. 0.46
	180.A.25451	0.60	12.3	18.0	4.0	1.722	27.0	17.552	SFr. 0.33
	180.A.25454	0.60	30.3	38.2	5.0	0.313	76.0	13.574	SFr. 0.36
	180.A.25470	0.60	60.3	70.0	6.0	0.084	185.0	11.045	SFr. 0.53
	180.A.20103	0.60	293.0	300.0	5.0	0.031	670.0	13.709	SFr. 1.13
	180.A.20106	0.70	43.0	53.0	6.0	0.271	110.0	17.461	SFr. 0.42
	180.A.25458	0.80	25.2	42.2	10.0	0.175	117.0	14.939	SFr. 0.43
	180.A.10301	0.80	30.0	40.0	6.0	0.813	64.0	23.383	SFr. 0.40
	180.A.25456	0.80	34.8	45.6	7.0	0.412	93.0	21.992	SFr. 0.42
	180.A.10302	0.80	40.4	50.0	6.0	0.599	84.0	23.898	SFr. 0.41
	180.A.10303	0.80	50.0	60.0	6.0	0.482	102.0	23.790	SFr. 0.43
	180.A.20107	0.80	59.6	73.5	8.0	0.152	185.0	19.179	SFr. 0.49
	180.A.10304	0.80	60.0	70.0	6.0	0.398	120.0	23.550	SFr. 0.44
	180.A.10305	0.80	289.0	298.0	6.0	0.082	540.0	23.648	SFr. 1.72
	180.A.20108	0.90	74.2	88.0	8.0	0.229	190.0	26.604	SFr. 0.55
	180.A.25455	1.00	22.5	31.0	6.0	3.790	42.5	50.940	SFr. 0.37
	180.A.25459	1.00	27.5	43.8	10.0	0.527	78.0	21.855	SFr. 0.46
	180.A.10311	1.00	29.5	42.0	8.0	1.042	69.0	33.584	SFr. 0.41
	180.A.10312	1.00	39.5	52.0	8.0	0.771	88.0	33.343	SFr. 0.43
	180.A.20109	1.00	44.5	62.0	10.0	0.321	132.0	25.901	SFr. 0.57
	180.A.10313	1.00	49.5	62.0	8.0	0.612	107.0	33.186	SFr. 0.44
	180.A.25457	1.00	55.6	67.5	8.0	0.545	126.0	36.422	SFr. 0.55
	180.A.10314	1.00	59.5	72.0	8.0	0.507	127.0	32.693	SFr. 0.46
	180.A.25461	1.00	65.5	84.0	11.0	0.157	225.0	25.504	SFr. 0.64
	180.A.25471	1.00	70.5	87.0	10.0	0.201	210.0	28.472	SFr. 0.64
	180.A.20104	1.00	284.0	300.0	10.0	0.049	780.0	28.167	SFr. 1.76
	180.A.10315	1.00	285.5	298.0	8.0	0.104	560.0	32.912	SFr. 1.78
	180.A.10321	1.20	30.6	46.0	10.0	1.265	80.0	49.575	SFr. 0.52

Disponibile du stock

Ab Lager erhältlich

Sous réserve de modifications

Montant minimal par facture : SFr. 30.-

Minimalbetrag pro Rechnung : SFr 30.-

Suite au verso / Siehe Rückseite



Tarif 2024

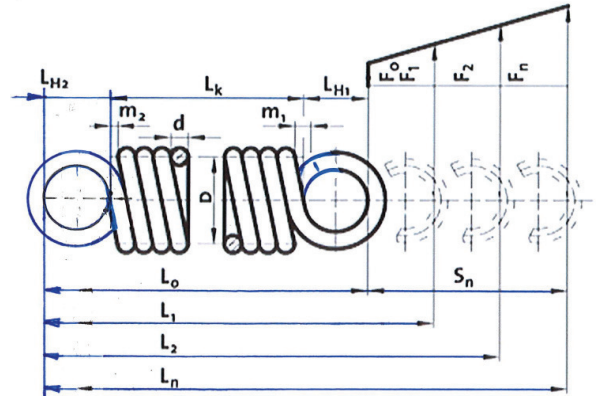
(TVA n.c./Exkl. Mwst)

Assortiment de ressorts de traction

(avec 2 boucles fermées, pos. 180°)

Zugfedernsortiment

(mit 2 geschlossenen Oesen, Pos. 180°)



Quantité Menge	N° Nr	d [mm]	Lk [mm]	L0 (mm)	Da [mm]	Constante Federrate [N/mm]	Ln [mm]	Fn [N]	Prix unitaire Stückpreis [Fr.]
	180.A.25462	1.20	35.4	55.6	12.0	0.588	115.0	40.064	SFr. 0.57
	180.A.10322	1.20	40.2	56.0	10.0	0.953	95.0	44.584	SFr. 0.44
	180.A.10323	1.20	49.8	66.0	10.0	0.765	115.0	45.197	SFr. 0.46
	180.A.10324	1.20	60.6	76.0	10.0	0.626	135.0	44.423	SFr. 0.48
	180.A.25472	1.20	75.0	93.0	11.0	0.365	200.0	44.302	SFr. 0.70
	180.A.10325	1.20	281.5	297.0	10.0	0.132	560.0	43.896	SFr. 1.84
	180.A.25464	1.50	21.8	44.8	14.0	1.956	73.0	64.73	SFr. 0.55
	180.A.10331	1.50	30.7	50.0	12.0	2.284	74.0	68.56	SFr. 0.46
	180.A.10332	1.50	39.8	58.6	12.0	1.747	97.0	77.87	SFr. 0.61
	180.A.10333	1.50	50.2	68.0	12.0	1.370	109.0	68.79	SFr. 0.53
	180.A.25465	1.50	50.2	73.4	14.0	0.812	143.0	64.93	SFr. 0.69
	180.A.10334	1.50	60.7	80.0	12.0	1.127	131.0	69.97	SFr. 0.57
	180.A.25473	1.50	72.7	94.0	13.0	0.713	180.0	70.63	SFr. 0.72
	180.A.25466	1.50	75.8	99.0	14.0	0.533	190.0	57.87	SFr. 0.80
	180.A.20110	1.50	80.2	100.0	12.0	0.848	170.0	69.46	SFr. 0.75
	180.A.10335	1.50	276.5	296.0	12.0	0.242	520.0	69.21	SFr. 1.99
	180.A.10341	2.00	31.0	54.0	15.0	5.116	80.0	156.87	SFr. 0.64
	180.A.10342	2.00	41.0	64.0	15.0	3.804	90.0	125.88	SFr. 0.69
	180.A.10343	2.00	51.0	73.0	15.0	3.028	108.0	126.45	SFr. 0.70
	180.A.25467	2.00	51.0	76.2	16.0	2.424	123.0	132.13	SFr. 0.87
	180.A.10344	2.00	61.0	83.0	15.0	2.515	140.0	165.39	SFr. 0.72
	180.A.20111	2.00	87.0	113.0	16.0	1.397	184.0	117.57	SFr. 1.13
	180.A.10345	2.00	273.0	296.0	15.0	0.547	515.0	140.89	SFr. 2.23
	180.A.25474	2.50	73.8	106.0	20.0	2.605	170.0	196.71	SFr. 1.15
	180.A.20112	3.00	64.5	100.0	22.0	5.868	138.0	268.69	SFr. 1.42
	180.A.25475	3.00	88.5	124.0	22.0	4.221	180.0	282.54	SFr. 1.65